

Technical data sheet

Product features



Universal mixer planetary 4 speed 60 l 400 V

Model	SAP Code	00008683
--------------	-----------------	----------



- Control type: Mechanical
- Safety cover: stainless steel with a filling hole
- Start /stop: Yes
- Safety element: total stop complete stop of the device in case of opening the container protects the operator from injury
- Number of speeds of device: 4
- Standard equipment for device: boiler, whisk, hook, stirrer and kettle handling trolley
- Additional information: meat grinder, vegetable grinder and 40 l boiler with reduction can be purchased
- Mixing system: With a fixed container
- Way of tool mounting: Planets

SAP Code	00008683	Power electric [kW]	3.750
Net Width [mm]	1080	Loading	400 V / 3N - 50 Hz
Net Depth [mm]	790	Bowl lift	Motorised
Net Height [mm]	1560	Weight capacity of the device container [kg]	60.00
Net Weight [kg]	455.00		

Technical data sheet

Technical drawing

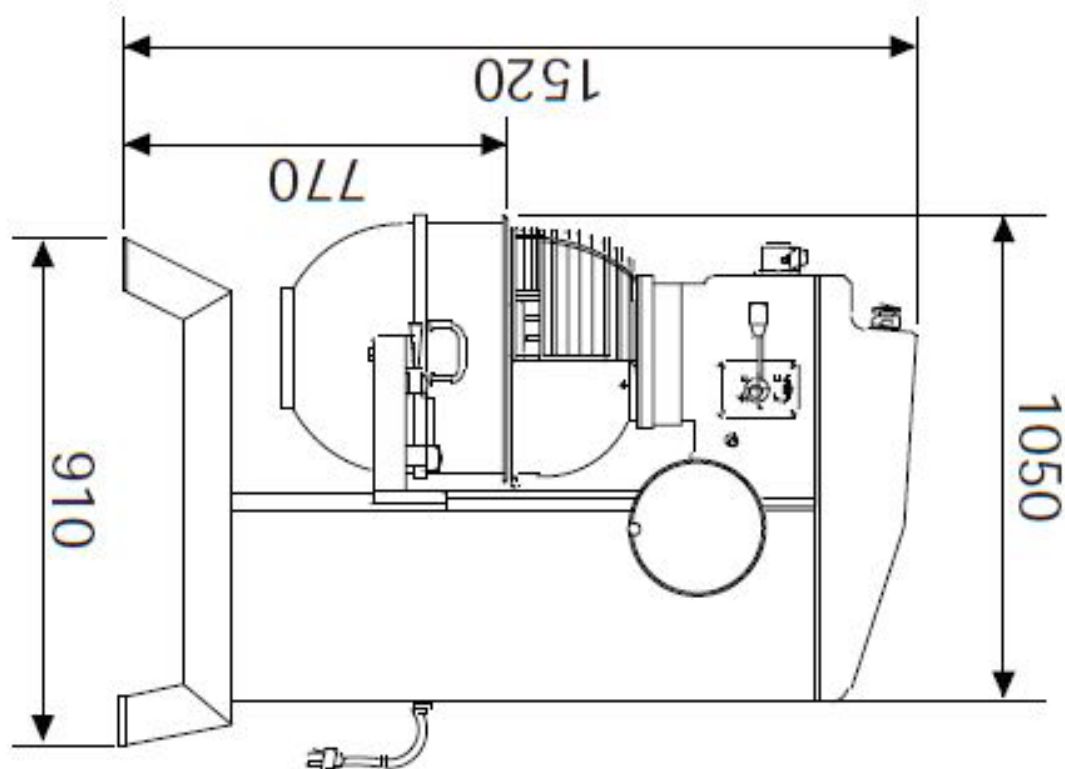
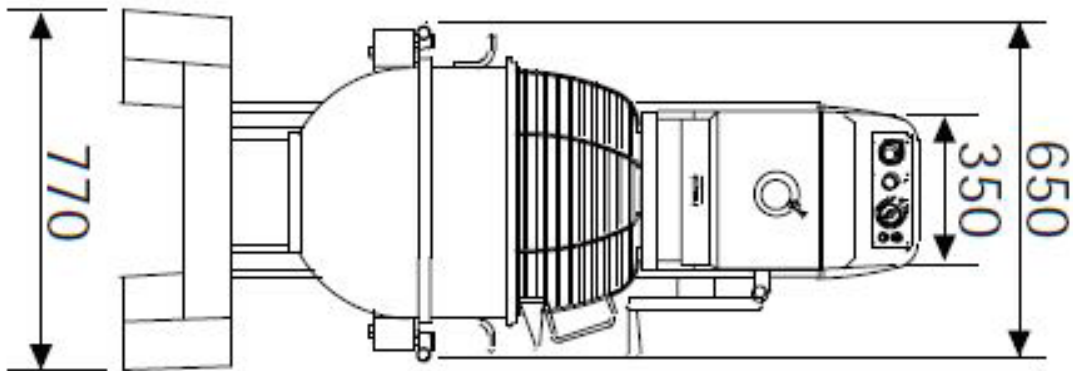


Universal mixer planetary 4 speed 60 l 400 V

Model

SAP Code

00008683



Technical data sheet

Product benefits



Universal mixer planetary 4 speed 60 l 400 V

Model

SAP Code

00008683

1

Planetary storage of attachments with 4 speeds

the attachments rotate around their axis and at the same time go around in a circle without the need to rotate the vessel (boiler)

- better mixing of ingredients; better quality of prepared dough

2

Additional devices

the possibility of grinding or grinding, or wiper arms, or handling carts

- multifunctionality

3

Content 5 80L

wide sortiment

- always the ideal size for every operation

4

Safety microswitch

without closing the microswitch, the machine will not start

- avoiding possible injury to the operator

5

Protective cover with filling opening

without closing the microswitch, the machine will not start

- Ingredients can be added additionally while ensuring the safety of the staff

6

Broom, hook, mixer, handling cart

great basic equipment

- there is no need to buy additional equipment for whipping or kneading

7

No oil bath

the robot has a gearbox that is not stored in an oil basin

- no release of gear oil into the food

8

Reduction boiler

possibility to buy a reducing boiler that fits comfortably in a larger machine, but the volume is smaller than the boiler original

- simplification of working with smaller volumes of raw materials; the customer does not have to buy a second smaller machine afterwards

9

Automatic lift

convenient lifting of the container (boiler) using the motor

- simplification of maintenance work when lifting a heavy 8l boiler

Technical data sheet

Technical parameters



Universal mixer planetary 4 speed 60 l 400 V

Model

SAP Code

00008683

1. SAP Code:

00008683

2. Net Width [mm]:

1080

3. Net Depth [mm]:

790

4. Net Height [mm]:

1560

5. Net Weight [kg]:

455.00

6. Gross Width [mm]:

1150

7. Gross depth [mm]:

850

8. Gross Height [mm]:

1650

9. Gross Weight [kg]:

500.00

10. Device type:

Electric unit

11. Power electric [kW]:

3.750

12. Loading:

400 V / 3N - 50 Hz

13. Number of speeds of device:

4

14. Control type:

Mechanical

15. Safety cover:

stainless steel with a filling hole

16. Safety element:

total stop complete stop of the device in case of opening the container protects the operator from injury

17. Way of tool mounting:

Planets

18. Safety Microswitch:

Yes

19. Start /stop:

Yes

20. Timer:

Yes

21. Standard equipment for device:

boiler, whisk, hook, stirrer and kettle handling trolley

22. Additional information:

meat grinder, vegetable grinder and 40 l boiler with reduction can be purchased

23. Unmountable bowl:

Yes

24. Bowl lift:

Motorised

25. Suitable operations:

Mixing, whipping and kneading

26. Mixing system:

With a fixed container

Technical data sheet

Technical parameters



Universal mixer planetary 4 speed 60 l 400 V

Model

SAP Code

00008683

27. Weight capacity of the device container [kg]:

60.00

28. Cross-section of conductors CU [mm²]:

1

– Výkon (kW): 3,7-5 (230 V); 6,4-8,7 (400 V)